

GELCROC P

Polypropylene Pleated Filter for high-viscosity fluids

GELCROC P filters are an **evolution** of so-called hybrid filters that combine the properties of a depth filter with those of a pleated filter.

GELCROC-P filters have **additional supports** in their pleating. These supports ensure that all areas of the filter media remain accessible by the high-viscosity liquid. The advantage for you: **a significant improvement in service life!**

Multi-layer filter medium with graded pore sizes that can capture particles at different stages in the filter media. Combined with a relatively large filtration area, this results in low pressure drop over the filter.

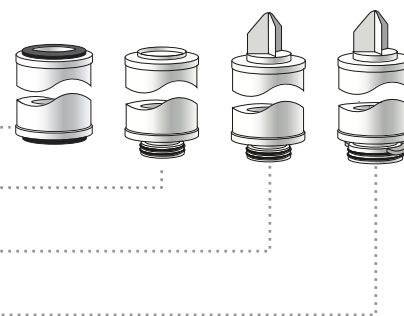
GELCROC P filters are ideally suited for liquids with a high-solid content or a high-viscosity (up to 10000 mPa·s).

Applications: **Coatings, metal paste, binder solutions, glues & adhesives, slurries**

Max. differential pressure: 5 bar at 20°C

Max. operating temperature: 80°C

Material: **Polypropylen**



	Length	Grade	O-ring/Gasket	Adapter
GPF	01 = 1 inch	001 = 1 micron	E = EPDM	F = DOE
	10 = 10 inch	005 = 5 micron	N = Buna N	0 = 222/Flat
	20 = 20 inch	010 = 10 micron	V = FKM	5 = 222/Spear
	30 = 30 inch	015 = 15 micron		7 = 226/Spear
		030 = 30 micron		
		050 = 50 micron		
		100 = 100 micron		

Example: GPF30005V7 = 30 inch length, 5 micron, FKM orings, Adapter 7

Removal efficiency table		
Grade	90%	98%
001	0,8 um	3 um
005	2 um	5 um
010	7 um	10 um
015	10 um	15 um
030	15 um	30 um
050	30 um	50 um
100	100 um	150 um

arranged.

arranged BV
Meremweg 37C
3740 Bilzen - Belgium
Tel +32 89 656 321

info@arranged.be

arranged GmbH
Steinfurt 47
52222 Stolberg - Germany
Tel +49 2402 9791 562

info@arranged-gmbh.de