

GELCROC NY

Polyamide Depth Filter with excellent chemical resistance

The **GELCROC NY** is a depth filter cartridge made of Polyamide micro-fibers with an excellent temperature resistance of 120°C.

The depth filter structure has a layered pore size, with large pores on the outer and increasingly finer pores on the inside of the depth filter structure. This structure delivers a first-class dirt-holding-capacity and long filter service life.

100% made of Polyamide (Nylon), all parts are extruded and thermally bonded. **Excellent chemical resistance** against xylene, butyl acetate, toluene, and other organic solvents, halogenated hydrocarbons, glycols, oils and fuels.

The GELCROC NY will ensure accurate and consistent filtration from start to finish.

Applications: **Polymer solutions, dispersions, adhesives, binders, slurries, coatings**

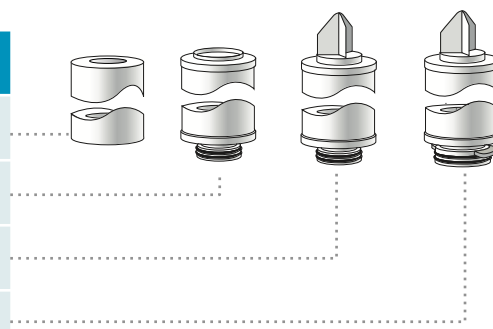
Max. differential pressure: 2 bar at 20°C

Max. operating temperature: 120°C

Material: **Polyamide**



	Length	Grade	O-ring/Gasket	Adapter
GCA	05 = 5 inch	002 = 2 micron	E = EPDM	X = DOE
	10 = 10 inch	005 = 5 micron	N = Buna N	0 = 222/Flat
	20 = 20 inch	010 = 10 micron	V = FKM	5 = 222/Spear
	30 = 30 inch	025 = 25 micron	T = PFA/FKM	7 = 226/Spear
	40 = 40 inch	050 = 50 micron		
		075 = 75 micron		



Example: GCA20005T7 = 20 inch length, 5 micron, PFA/FKM orings, adapter 7

arranged.

arranged BV
Meremweg 37C
3740 Bilzen - Belgium
Tel +32 89 656 321

info@arranged.be

arranged GmbH
Steinfurt 47
52222 Stolberg - Germany
Tel +49 2402 9791 562

info@arranged-gmbh.de