

GELCROC

Polypropylene Depth Filter for high-viscosity fluids

GELCROC's specific thicker Macro-denier Polypropylene fibers which are thermally bonded, create a **rigid depth filter matrix** that will resist **high-viscosity liquids** (up to 20 Pa.s) or **high solids concentrations**.

The **graded multilayer** depth filter media distributes the dirt load over the different sections in the filter media, resulting in a long service life. Excellent gel retention.

100% made of Polypropylene, no binders or adhesives are used during production, and all parts are extruded and thermally bonded.

GELCROC filter cartridges are unique! Your high-viscosity production process will benefit by having a stable filtration cycle. And this is at a **reasonable cost**.

Applications: **Polymer solutions, dispersions, glues & adhesives, binders, slurries, coatings**

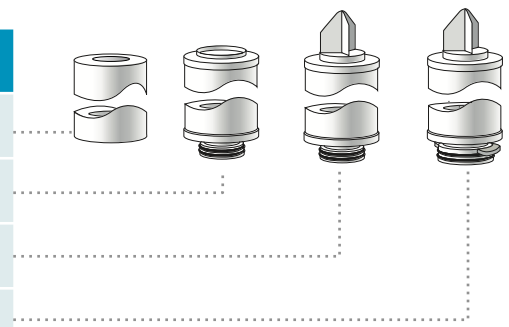
Max. differential pressure: 5 bar at 20°C
Max. operating temperature: 80°C

Material: **Polypropylene**

	Length	Grade	O-ring/Gasket	Adapter
GCF	01 = 1 inch	005 = 5 micron	E = EPDM	X = DOE
	10 = 10 inch	020 = 20 micron	N = Buna N	0 = 222/Flat
	20 = 20 inch	050 = 50 micron	V = FKM	5 = 222/Spear
	30 = 30 inch	075 = 75 micron		7 = 226/Spear
	40 = 40 inch	100 = 100 micron		
		150 = 150 micron		

Example: GCF10075E5 = 10 inch length, 75 micron, EPDM orings, Adapter 5

Removal efficiency table		
Grade	90%	98%
005	10 µm	18 µm
020	20 µm	25 µm
050	25 µm	50 µm
075	40 µm	75 µm
100	45 µm	100 µm
150	95 µm	150 µm



arranged.

arranged BV
Meremweg 37C
3740 Bilzen - Belgium
Tel +32 89 656 321

info@arranged.be

arranged GmbH
Steinfurt 47
52222 Stolberg - Germany
Tel +49 2402 9791 562

info@arranged-gmbh.de